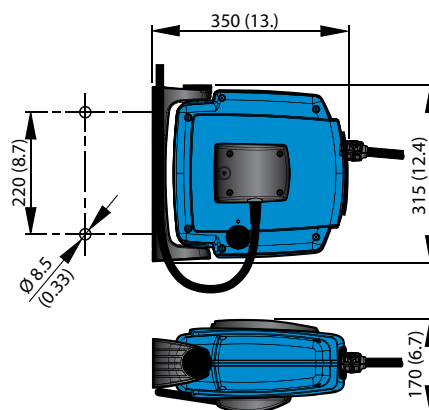
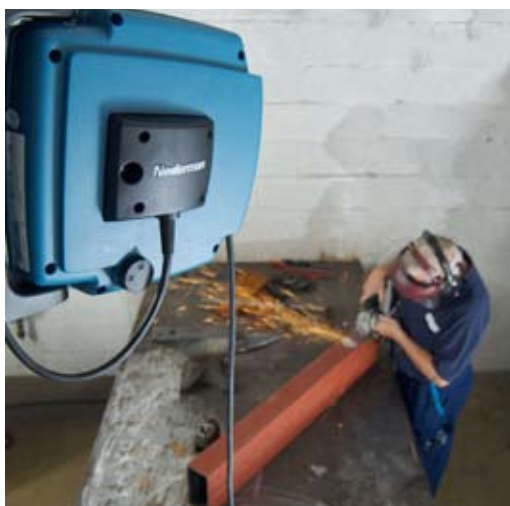


Cable Reel Series C20



Safe and functional cable reels for industrial use, professional tradesmen or do-it-yourself workshops. Robust design in high impact composite materials. Supplied with an easily mounted snap-on, pivoting wall bracket and a unique safety latch for safe and easy service. Equally suitable for electrical tools and hand lamps.

- Snap-on wall bracket
- Unique safety latch
- Drum with ball bearings on both sides
- Degree of protection code, IP 55
- Rubber power cable



Voltage, V	Ampere, A	Max. power W	Conductors No. x mm ²	Distribution cable, Length, m	Distribution cable, Type	Connection cable, No. x mm ²	Connection cable, Length, m	Weight, kg	Part no.
230	10	2300	3 x 1.5	12	H07RN-F	3 x 1.5	1	~4	30700220
230	10	2300	3 x 1.5	12	H07RN-F	3 x 1.5	1	~4	30700420*
230	10	2300	3 x 1.5	12	H07RN-F	3 x 1.5	1	~4	30701620**
230	10	2300	3 x 2.5	12	H07RN-F	3 x 2.5	1	~4	30700620***

* Distribution cable with Euro socket and connection cable with Euro plug, IP 44.

** With UK socket for distribution cable.

*** With Euro socket, IP44, for distribution cable.

Material recycling: 100 %