

# Nederman

IMPROVING YOUR WORKSPACE



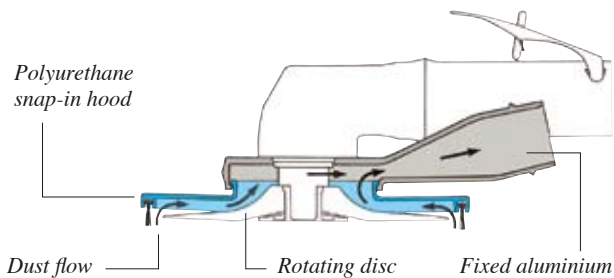
**High vacuum extraction solutions**  
**The clean way to a perfect job**

# High quality finish demands a clean environment



## The perfect result requires a clean environment

Grinding and sanding operations create large amounts of dust and can destroy the entire job when it's time for painting. Worst case will mean that the work will need repeating. Airborne dust and fine particles can also be hazardous to the human health and should be extracted at source before it reaches the breathing zone. The operator should always be protected from inhaling dust.



*The dust is captured all around the rotating disc at very high air flow speed*

## Ready-to-mount kits for effective extraction

Nederman provides a wide range of on-tool extraction kits for both electric and pneumatic tools. With these you are ensured effective extraction at source and excellent freedom of movement. The robust manifold of aluminium and the snap-in hood are easily mounted on your tool.

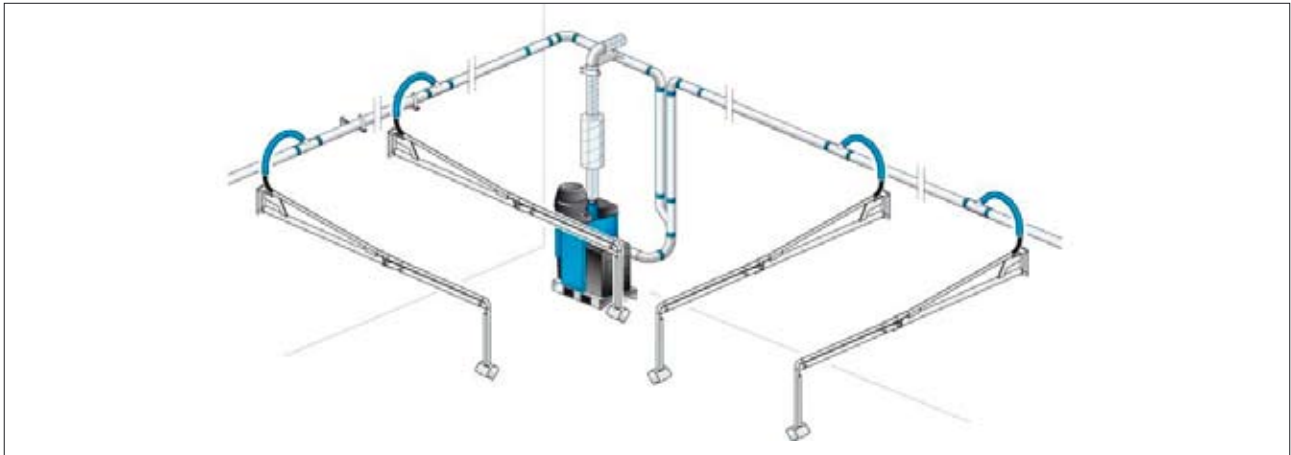


*Nederman Ready-to-mount kits are available for a wide range of tools and models.*

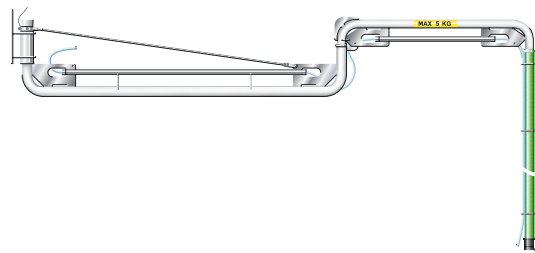
# A complete solution adapted to your needs

For a complete solution you need an effective high vacuum unit. Nederman offers a wide range of stationary units, which together with our hose systems are capable of serving multiple workstations.

With accessories, such as swing arms and power boxes it possible to fully customise each system. Our specialists accept responsibility for the whole process, from planning and design to installation and commissioning.



*Nederman L-PAK high vacuum unit with compact design is easy to place even in small workshops.*



*The SA-G swing arm gives an extra long reach extraction. The swing arm is equipped with an integral compressed air supply.*



*The power box comfortably and practically combines compressed air, electricity and extraction.*



*It's important that vehicles and surfaces surrounding them are clean before painting commences to ensure the best results. Nederman's mobile vacuum cleaners are capable of picking up dense particles of dirt, shards of glass, etc.*



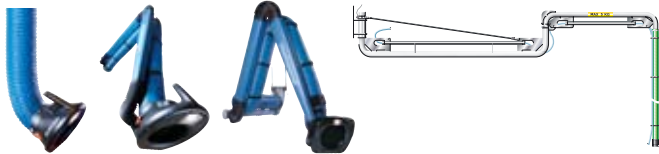
*A mobile high vacuum unit with a sander or grinder can be a flexible alternative for smaller jobs.*

# Nederman solutions for optimal working environments

Health and safety issues are fundamental to our company philosophy, which is to advise customers and work with them to develop solutions with products to improve the efficiency in their workplaces. With more than 60 years of commitment to

improving working environments, Nederman has become the world leader in fume and dust extraction equipment, and also supplies auxiliary equipment such as self-retracting hose and cable reels.

## Extraction arms



## Exhaust Extraction Systems



## Fans



## Filters



## Central/fixed filter units



## Portable and mobile filter units



## Cleaning equipment



## Hose and Cable Reels



# Nederman

**AB Ph. Nederman & Co**

Sydhammsgatan 2

SE-252 28, Helsingborg, Sweden

Tel: +46 42 18 87 00

Fax: +46 42 14 79 71

E-mail Nederman HQ: [support@nederman.se](mailto:support@nederman.se)

E-mail Nederman International: [international@nederman.se](mailto:international@nederman.se)

[www.nederman.com](http://www.nederman.com)

**Nederman Sales companies in:** Australia, Austria, Belgium, Canada, China, Czech Rep. Denmark, France, Germany, Holland, Hungary, India, Ireland, Norway, Poland, Portugal, Romania, Slovakia, Spain, Sweden, United Kingdom, USA

**Nederman Agents in:** Bahrain, Bosnia & Herzegovina, Brazil, Bulgaria, Cyprus, Egypt, Estonia, Finland, Greece, Holland, Hongkong, Iceland, Iran, Italy, Japan, Korea, Kuwait, Latvia, Lithuania, Macau, Malaysia, Philippines, Russia, Saudi Arabia, Serbia, Montenegro, Singapore, Slovenia, South Africa, United Arab Emirates, Switzerland, Taiwan R.O.C., Thailand, Turkey