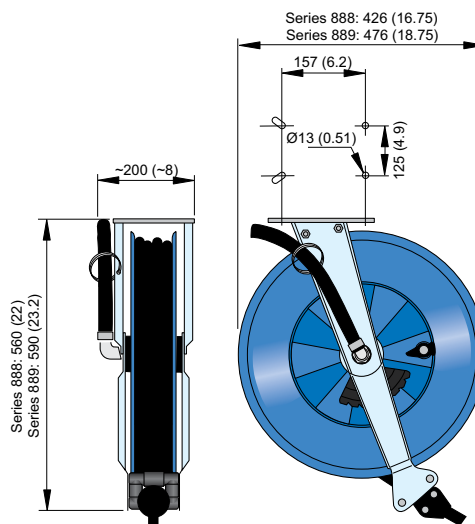


# Hose Reel Series 888/889

A reliable, medium sized hose reel for safe and maintenancefree operation. Available in two sizes: Series 888 and Series 889.



- Outlet roller position can be adjusted through 120° for optimal pull-out angle
- Spring tension is easily adjusted
- Latch function is easily disengaged



Use for	Max. working pressure, MPa (psi)	Distribution hose Int. Ø, mm (in)	Distribution hose Length, m	Connection hose Int. Ø, mm (in)	Connection hose Length, m	Hose material	Hose type (see page 21)	Weight, kg	Reel with hose Part no.	Reel without hose Part no.
Air/Water	1.5 (220)	10 (3/8)	15	12.5 (1/2)	1	Rubber	B	11-16	30800688	30800388
Air/Water	1.5 (220)	10 (3/8)	20	12.5 (1/2)	1	Rubber	B	11-16	30800689	30800589
Air/Water	1.5 (220)	12.5 (1/2)	10	12.5 (1/2)	1	Rubber	B	11-16	30800888	30800788
Air/Water	1.5 (220)	12.5 (1/2)	15	12.5 (1/2)	1	Rubber	B	11-16	30800889	30800789
Water –food grade hose	2.0 (290)	12.5 (1/2)	10	12.5 (1/2)	1	Rubber	E	11-16	30801088	–
Water –food grade hose	2.0 (290)	12.5 (1/2)	13+2	12.5 (1/2)	1	Rubber	E	11-16	30801089	–
HP water	25 (3625)	10 (3/8)	15	10 (3/8)	1	Rubber	G	11-16	30801888	30801788
HP water	25 (3625)	10 (3/8)	18	10 (3/8)	1	Rubber	G	11-16	30801889	30801789
Oil	7.5 (1090)	12.5 (1/2)	10	12.5 (1/2)	1	Rubber	I	11-16	30801688	30801588
Oil	7.5 (1090)	12.5 (1/2)	15	12.5 (1/2)	1	Rubber	I	11-16	30801689	30801589
Grease	35 (5075)	6 (1/4)	15	6 (1/4)	1	Rubber	J	11-16	30802688	30802588

Material recycling: 100 %

Accessories: see page 21

Product availability may differ by country